

# It simply works!



## BKM91PN Premium

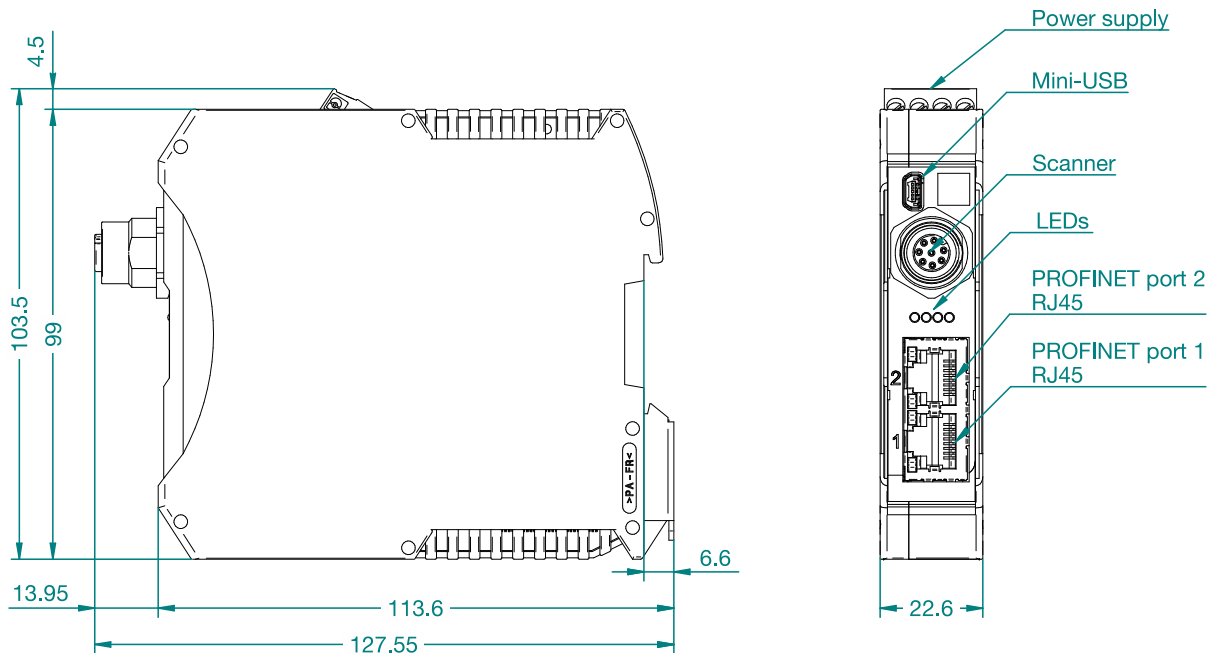
**The control units of BK Mikro have got the lot: compact design, powerful functionality and the right connections to the system network – not to forget great flexibility in case of subsequent system adaptations.**



### Characteristics

- PROFINET interface for direct fieldbus connection to machine control  
Specification 2.33, conformance class A
- Mini-USB for PC connection
- 2 Ethernet ports (RJ45), 100 Mbit/s, full duplex  
Auto negotiation, auto crossover  
Supports MRP
- Pluggable supply voltage and scanner connection
- 4 LEDs for current status display

## Mechanical Dimensions (mm)



## Technical Data

Control unit	BKM91PN Premium
Article no.	63 04 264
Housing	Insulation material, protection class II, built-in type
Protection class	IP 20
Dimensions (W x H x D)	22.6 mm x 99 mm x 113.6 mm
Mounting of housing	Profile rail 35 mm acc. DIN EN 50022
Supply voltage	24 VDC $\pm 20\%$ PELV, $I_{max} = 1$ A
Power consumption	24 VA max.
Control voltage	24 VDC $\pm 20\%$ PELV
Connections	Pluggable screw terminals for voltage supply Circular connector, 8 pin (scanner connection) Mini-USB 2 RJ45 Ethernet ports
Climate conditions	acc. class 3K3 acc. EN 50178
Ambient temperature	0 °C to +50 °C
Storage temperature	-20 °C to +80 °C

Version 1.02 Subject to technical changes.